

Panasonic

BUSINESS

PT-JX200 Series

1-Chip DLP™ Projectors

PT-JX200HBU / JX200HWU
PT-JX200GBE / JX200GWE
PT-JX200GBD / JX200GWD

Space Player

Blending Light and Motion,
The Possibilities Are Endless



*Presentation
Reimagined*

Graphic is simulated.



Text Information





Custom Graphics



Lighting



Movies

 ×  = **Space Player**

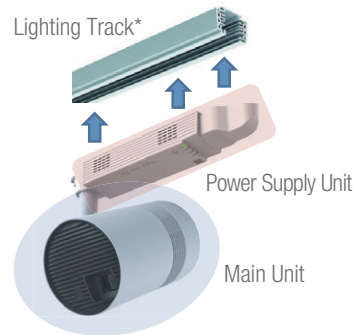
Lighting Projection

Integrated Lighting and Projection Solution with 2,000 lm
Featuring 1-Chip DLP™ SOLID SHINE Laser and XGA Resolution



Create Stunning Ambience with Light, Video, and Graphics from One Compact Source

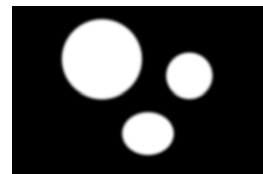
Space Player provides hybrid illumination and projection to enhance presentation of displays and exhibits, or to create eye-catching signage in almost any location. Combining spotlighting and ambient illumination with still or moving images in a compact, easily installed design, Space Player has the potential to transform your business.



Easy to Install

- Power section slides into conventional lighting tracks*, wiring is concealed
- Projection from any angle below horizontal, supports portrait orientation
- Easy to move from place to place
- Compact and elegant shape, selection of two colors

* Track not included. PT-JX200 Series cannot be used with lighting-track-connecting light dimmers. For information on installing a track system, please refer to the manufacturer's instructions and precautions.



Black Background



Image Background

Customizable Lighting Patterns

Choose a custom spotlight template via remote control and illuminate select areas (such as retail items) within a projected background. Size, position, and number of these spotlights are easily configurable.



Signage in a Snap

- Self-contained content projection via SD Card
- Wireless projection via Miracast and Panasonic apps
- Update SD Card content over network any time
- Monitor and control via PC and tablet over wired/wireless LAN



Streaming Dongles

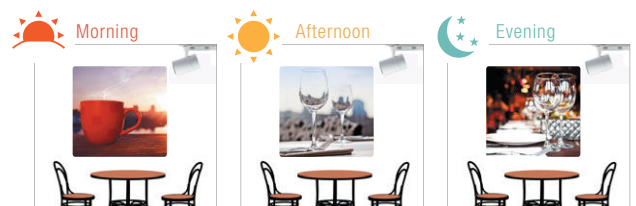
Access a wealth of projectable streaming content via apps on supported media player dongles (stick PCs) using HDMI input and USB power supply.

Note: Compatibility depends on device. Please check with device manufacturer.



Content Manager and Scheduling

Create a media playlist and playback schedule on a PC and save it to one (or more) SD Cards. Insert the card into your Space Player to automatically schedule playback at certain times of day, on specific days, up to 12 weeks in advance.

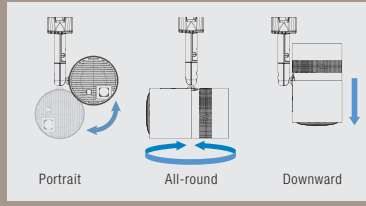


Main Features



Sleek Spotlight-type Design

Inspired industrial design results in a lighting and projection device not much larger than a conventional spotlight, but with loads of extra onboard functionality.



Shoot From Almost Any Angle

Flexible mount gimbal lets you light or project onto tabletops and floors from any angle through 360° horizontal and 180° vertical, as well as in portrait orientation.



20,000 hours* Maintenance-free

Filterless, dust-resistant SOLID SHINE Laser drive and optical engine means you can project for about 20,000 hours* without downtime for maintenance.

* Panasonic recommends cleaning or checkup at point of purchase after 20,000 hours (approximately). Light source lifetime may be reduced depending on environmental conditions. Dustproof tests are conducted to confirm operational effectiveness under conditions with 0.15 mg/m³ of particulate matter (based on tests by the American Society of Heating, Refrigerating, and Air-Conditioning Engineers [ASHRAE], and the Japanese Building Maintenance Association). Measurements are made using acceleration tests.



Choice of Inputs

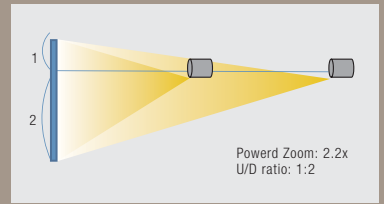
Space Player supports standard video and still media formats via HDMI terminal, SD Card, and wired/wireless LAN*.

* Video playback is not supported via Wi-Fi.



Wireless Projection Capability

Panasonic wireless apps for smartphone/PC offer a host of control and casting options. The PT-JX200 Series additionally supports Miracast screen mirroring of certain media from compatible devices.



2.2x Powered Zoom Lens

Space Player's 2.2x powered zoom lens generates big pictures from close up or from far away, and fits in with your existing lighting-track positions.

Other Practical Features

• Direct Playback

Cue content using buttons 1–6 on the remote controller. Playback is matched to key presses, making it easy to achieve surprise effects.

Note: Content takes 1–3 seconds to appear.

• Simultaneous Playback

Multiple units can play the same or different content simultaneously over network for impressive spatial enhancements of larger venues.

Note: Sync lag of up to 1 second may occur.

• Network LAN Control

In-browser control for smart devices and support for PJ Link™ (Class 1), Crestron Roomview™ Connected, and Art-Net (DMX512) simplifies control integration into an existing AV network.

• Multi Monitoring & Control Software

This free software controls up to 2,048 units over LAN network from a single PC—ideal for large AV networks, such as museums, houses of worship, and exhibition spaces. For monitoring, individual device status can be listed in groups, with more detailed information shown separately. Control functions include power ON/OFF, input switching, scheduling, and command inputs.

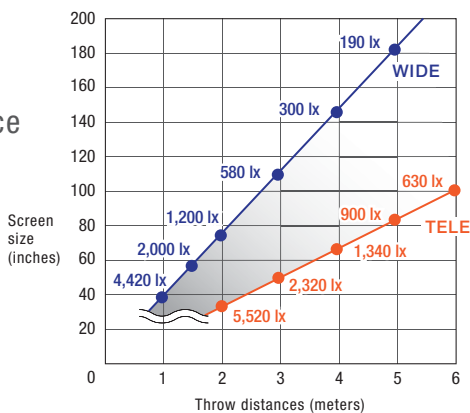
• Keystone Screen Adjustment

Easily correct picture distortion via remote control without external equipment using vertical and horizontal independent correction or four-corner correction.

• Memory Viewer

Memory Viewer adds a variety of functions including image wipe, split, and fade, image rotation, media sorting, and time interval settings.

Throw Distances and Illuminance



Throw distances	Unit: meters					
	min.			max.		
	Screen size (inch)	Height (m)	Width (m)	Screen size (inch)	Height (m)	Width (m)
1	17.4*	0.265	0.354	37.6	0.574	0.765
2	34.2	0.521	0.695	73.9	1.126	1.501
3	51.0	0.777	1.036	110.1	1.678	2.237
4	67.8	1.033	1.377	146.3	2.230	2.973
5	84.5	1.288	1.718	182.6	2.782	3.710
6	101.3	1.544	2.059	218.8*	3.334	4.446

* Optimal focus may not be possible at this distance.

Specifications

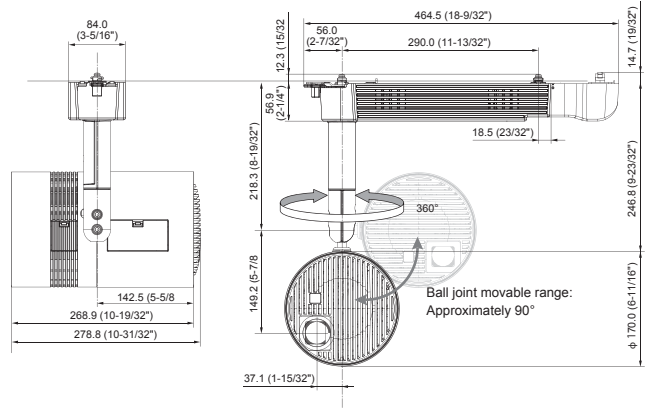
Model	PT-JX200 Series
Power supply	PT-JX200HBU / JX200HWU (North America): AC 120 V, 50/60 Hz PT-JX200GBE / JX200GWE (Europe): AC 100–240 V, 50/60 Hz PT-JX200GBD / JX200GWD (India): AC 100–240 V, 50/60 Hz
Power consumption	PT-JX200HBU / JX200HWU: 240 W (2.3 A); PT-JX200GBE / JX200GWE / JX200GBD / JX200GWD: 240 W (2.7–1.1 A); Standby Mode set to Eco: 0.4 W [PT-JX200HBU / JX200HWU], 0.5 W [PT-JX200GBE / JX200GWE / JX200GBD / JX200GWD]; Standby Mode set to Network: 0.5 W [PT-JX200HBU / JX200HWU], 0.7 W [PT-JX200GBE / JX200GWE / JX200GBD / JX200GWD]; Standby Mode set to Normal: 12 W (with fan stopped)
Panel display method	0.55 inch DLP™ chip × 1, DLP™ projection system
Pixels	786,432 pixels (XGA equivalent)
Recommended resolution	1024 × 768 pixels
Lens	Powered zoom (1.0x–2.2x), Powered focus, F 2.0–2.7, f=15.2–32.7 mm
Electric zoom	1.3–2.9:1
Light source	Laser diode, Laser class: Class 1 (Class 3R for North America), Light-source life: 20,000 hours (At this time the brightness will have decreased to approximately half of its original level)
Brightness*1	2,000 lm
Center-to-corner uniformity*1	80 %
Contrast ratio*1	1,000:1 (Full white/Full black)
Screen size	0.76–5.08 m (30–200 inches), 4:3 aspect ratio
Scanning frequency	HDMI: fh: 15.6–67.5 kHz, fv: 49.8–60.3 Hz, dot clock: 25.2–148.5 MHz
Optical axis shift	Vertical: 33 % (fixed)
Keystone collection range	Vertical: Max. ±40 ° Horizontal: Max. ±40 ° (Max. values in each direction only) (For corner keystone function, correction available within above range)
Terminals	HDMI IN: HDMI 19-pin × 1, compatible with HDCP, audio signal: linear PCM (sampling frequencies: 48 kHz, 44.1 kHz, 32 kHz) LAN: RJ-45 × 1 for network connection, 100Base-TX, 10Base-T, compatible with PLink™ (Class 1) AUDIO OUTPUT: M3 × 1 (monitor out, stereo) DC OUT: USB connector (Type A) × 1 for power supply (DC 5 V, maximum 2.0 A)
Card slot	SD Card slot*2 × 1 (Supports SDHC memory card)
Wireless LAN	IEEE802.11a/b/g/n, compatible with Miracast
Cabinet materials	Molded plastic
Dimensions	Main unit (ø x L): ø170 x 278.8 mm (6 11/16" x 10 9/32") Power supply unit (L x H x D): PT-JX200HBU / JX200HWU: 464.5 x 69.5 x 84 mm (18 9/32" x 2 9/4" x 3 5/16"); PT-JX200GBE / JX200GWE / JX200GBD / JX200GWD: 443.6 x 78.3 x 84 mm (17 15/32" x 3 9/32" x 3 5/16") (without adaptor), 471–491 x 83.4 x 84 mm (18 17/32"–19 11/32" x 3 9/32" x 3 5/16") (with adaptor)
Weight	Approx. 4.5 kg (9.9 lbs.)
Operation noise*1	33 dB (Normal Mode), 30 dB (Eco Mode)
Operating environment	Temperature*3: 0–40 °C (32–104 °F) [altitude: up to 1,000 m (3,281 ft)], 0–35 °C (32–95 °F) [altitude: 1,000 m (3,281 ft) to 2,700 m (8,858 ft)] Humidity: 10 % to 80 % (No condensation)
Supplied accessories	Wireless remote control unit, batteries for remote control (R03/LR03/AAA type x 2), software CD-ROM (Multi Monitoring & Control Software for Windows, Wireless Manager ME6.3 for Windows/Mac), card slot cap, HDMI terminal cap, LAN terminal cap, Allen wrench, adaptor, adaptor cover, connector secure lock, safety wire, string

*1 Measurement, measuring conditions, and method of notation all comply with ISO/IEC 21118: 2012 international standards.
*2 Operation of Panasonic SD memory cards of up to 2 GB capacity and Panasonic SDHC memory cards of up to 32 GB capacity is confirmed. *3 If ambient temperature exceeds 35 °C (95 °F) when used in locations from 0 m to 1,000 m (0 ft to 3,281 ft) above sea level, or if it exceeds 30 °C (86 °F) when used in locations from 1,000 m to 2,700 m (3,281 ft to 8,858 ft) above sea level, light output may be reduced to protect the projector.

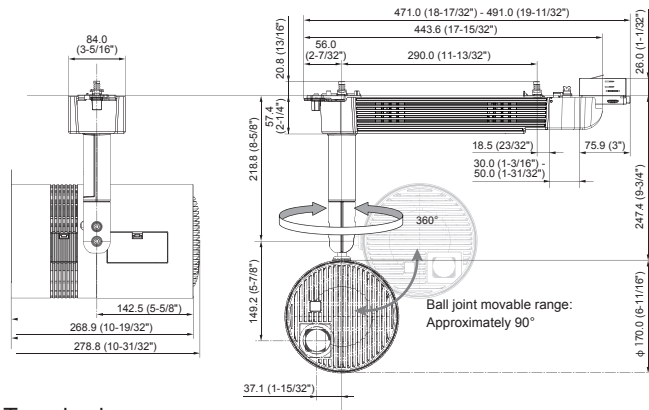
Dimensions

Unit: mm (inches)

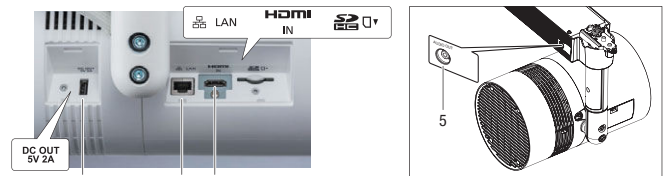
PT-JX200HBU / JX200HWU



PT-JX200GBE / JX200GWE / JX200GBD / JX200GWD



Terminals



1. DC OUT terminal (USB) 2. LAN terminal 3. HDMI IN terminal 4. SD Card slot 5. AUDIO OUT terminal

Other Models

Space Player 1-Chip DLP™ Projectors 1,000 lm WXGA



Track Mount Type

PT-JW130HBU / JW130HWU / JW130GBE / JW130GWE / JW130GBD / JW130GWD



* Featured Image: PT-JW130GBE

Direct Mount (Ceiling) Type

PT-JW130FBU / JW130FWU / JW130FBE / JW130FWE + ET-JPC100BU / JPC100WU / JPC100BE / JPC100WE (Ceiling Kit)



* Featured Image: PT-JW130GWE

Direct Mount Floor Type

PT-JW130FBU / JW130FWU / JW130FBE / JW130FWE + ET-JPF100BU / JPF100WU / JPF100BE / JPF100WE (Floor Stand Kit)



* Featured Image: PT-JW130GWE

Panasonic



For more information about Panasonic projectors, please visit:
Projector Global Website – panasonic.net/avc/projector
Facebook – www.facebook.com/panasonicprojector
YouTube – www.youtube.com/user/PanasonicProjector

www.panasonic-center.at

Weights and dimensions shown are approximate. Specifications and appearance are subject to change without notice. Product availability varies depending on region and country. This product may be subject to export control regulations. DLP, DLP logo and DLP Medallion logo are trademarks or registered trademarks of Texas Instruments. The PLink trademark is an application trademark in Japan, the United States, and other countries and regions or registered trademarks. HDMI, the HDMI logo, and High-Definition Multimedia Interface are trademarks or registered trademarks of HDMI Licensing LLC in the United States and other countries. All other trademarks are the property of their respective trademark owners. Projection images simulated. © 2016 Panasonic Corporation. All rights reserved.

All information included here is valid as of October 2016.

PT-JX200G1 Printed in Japan.